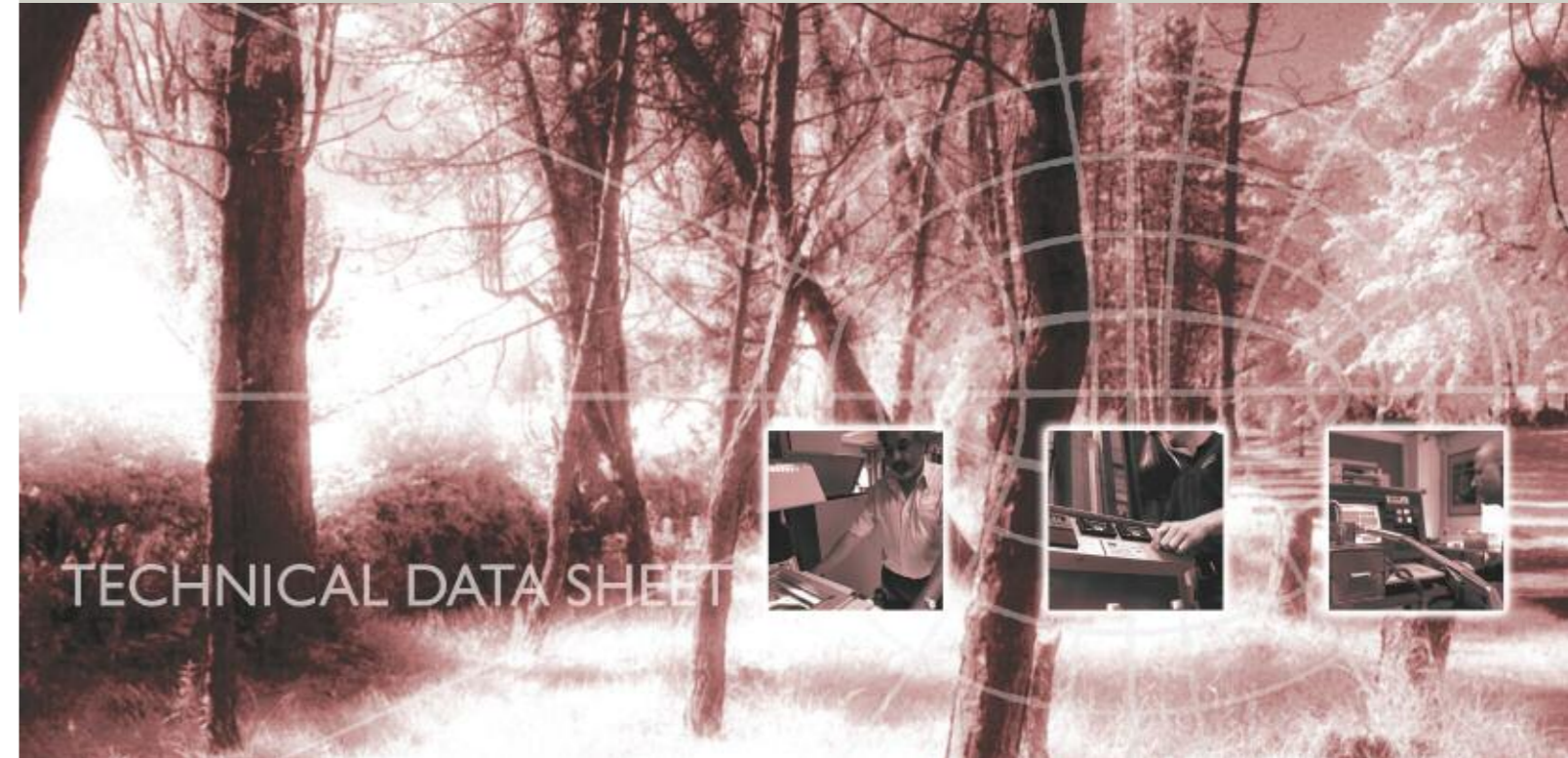


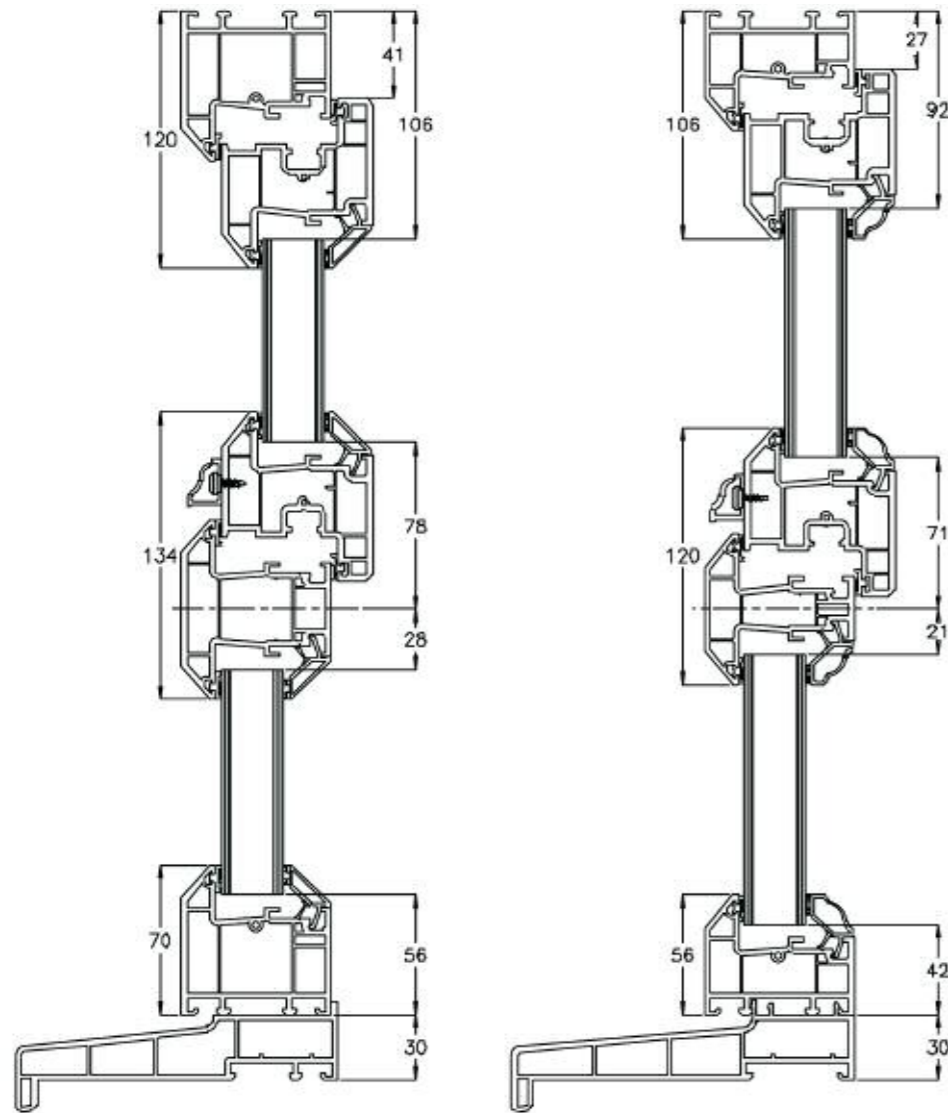
ECLIPSE Technical data sheet No 4 – TILT & TURN WINDOWS



Windows • Doors • Conservatories

ECLIPSE

Typical cross section



All dimensions are shown in mm

Tilt & Turn windows are made-to-order to the sizes and sash configurations specified by the customer, subject only to the following size limitations.

| All dimensions are shown in mm. | | | |
|---------------------------------|------|------|------|
| Minimum Width | 600 | 1600 | 1000 |
| Minimum Height | 600 | 1000 | 600 |
| Maximum Width | 1500 | 1500 | 3000 |
| Maximum Height | 1500 | 3000 | 1500 |

| All dimensions are shown in mm. | | | |
|---------------------------------|------|------|------|
| Minimum Width | 1200 | 1600 | 1400 |
| Minimum Height | 600 | 600 | 600 |
| Maximum Width | 3000 | 3000 | 3000 |
| Maximum Height | 1500 | 1500 | 1500 |

Note:
- Also A41147 / P10175 can be used to strengthen the mullion. This page must be read in conjunction with page 3.6.01, detailing the height and width relationship of sash, and weight carrying capacity of gearing.

It is possible to fabricate frames where the height greatly exceeds the width if hardware restrictions permit.

Key Features List

- 70mm frame depth ensuring aesthetically pleasing installations
- Inward opening
- Chamfered product design for slim sightlines
- Internal Beading
- Chamfered or sculptured bead designs
- Single Leg or Shuffle Bead options
- Dedicated PVCu screw ports for secure fixing of hardware
- Designed to accept the latest hardware innovations
- Products enable compliance with latest Building Regulations
- 24mm and 28mm sealed unit depths
- Unique coupling nut system enables products to be fixed to each other quickly and securely
- Products tested to meet or exceed the performance requirements of BS7412 Wind and Water Testing – Classification Severe
- Products tested to meet or exceed the latest security standards, BS7950
- Products tested to BBA Weather Performance and Enhanced Resistance to Intrusion standards

Manufacture

Each frame is designed to fit a specific aperture and is individually fabricated in accordance with the survey instructions and within pre-specified size parameters. Fabricated frames are fusion welded to ensure a strong weather resistant joint. Transoms and mullions are either welded or mechanically joined. Excess weld sprue can be mechanically or manually removed to leave a neat corner finish. Precise fixing of hardware is consistently achieved by the use of precision made jigs. Metal reinforcement is used in accordance with the detailed fabrication manual supplied by WHS Halo.

Applications

The Eclipse Tilt & Turn window range was originally designed for continental Europe to complement the typical housing designs that have historically been built there. It has become popular in the British Market where an inward opening window is required. Tilt & Turn windows can be combined in an extensive series of configurations, with or without fixed lights and are suitable for low, medium and high rise buildings. The slim sightlines, 70mm frame depth and low maintenance

requirements make them ideally suited for private or public sector housing, new build, refurbishment projects and for many commercial and industrial applications.

Operation

Eclipse Tilt & Turn windows feature a sophisticated hinge and locking mechanism which provides excellent security, and versatility in sash opening formats.

A turn of the operating handle releases the top of the sash to tilt inwards to a ventilation position that is retained by a cantilevered stay. On closing the sash and further rotating the handle, the hinge mechanism is engaged allowing the sash to swing inwards for glass cleaning. A 'Turn' before 'Tilt' option is also available.

Security

In the closed position the sash is held securely against the frame by espagnolette locks around its perimeter. This provides high security and an even distribution of closing pressure that pulls the weatherseal tight against the frame, providing an effective seal and superior weather performance.

Hardware Options

Handles are available in a wide choice of finishes and as either locking or non-locking versions. 'Press to operate' handles provide a further safety feature when required.

Profile Finishes

Eclipse Tilt & Turn products are

available in the following finishes:

- White
- Rosewood
- Light Oak
- Rosewood on the outside, White on the inside
- Light Oak on the outside, White on the inside

For complimentary white infill panels and finishing trims the recommended colour references are RAL 9010 OR NCS 0502-414R.

Cleaning and Maintenance

PVCu is not affected by airborne pollution, salt, ozone or acid rain. In order to maintain the superior appearance of Eclipse products, frames should be wiped down with a mild liquid detergent as required. Proprietary brands of glass cleaners may also be used. The use of abrasive cleaning agents is not recommended as it may result in damage to the surface finish of the PVCu and/or the glass. On an annual basis lubricate all pivot points sparingly with light machine oil.

