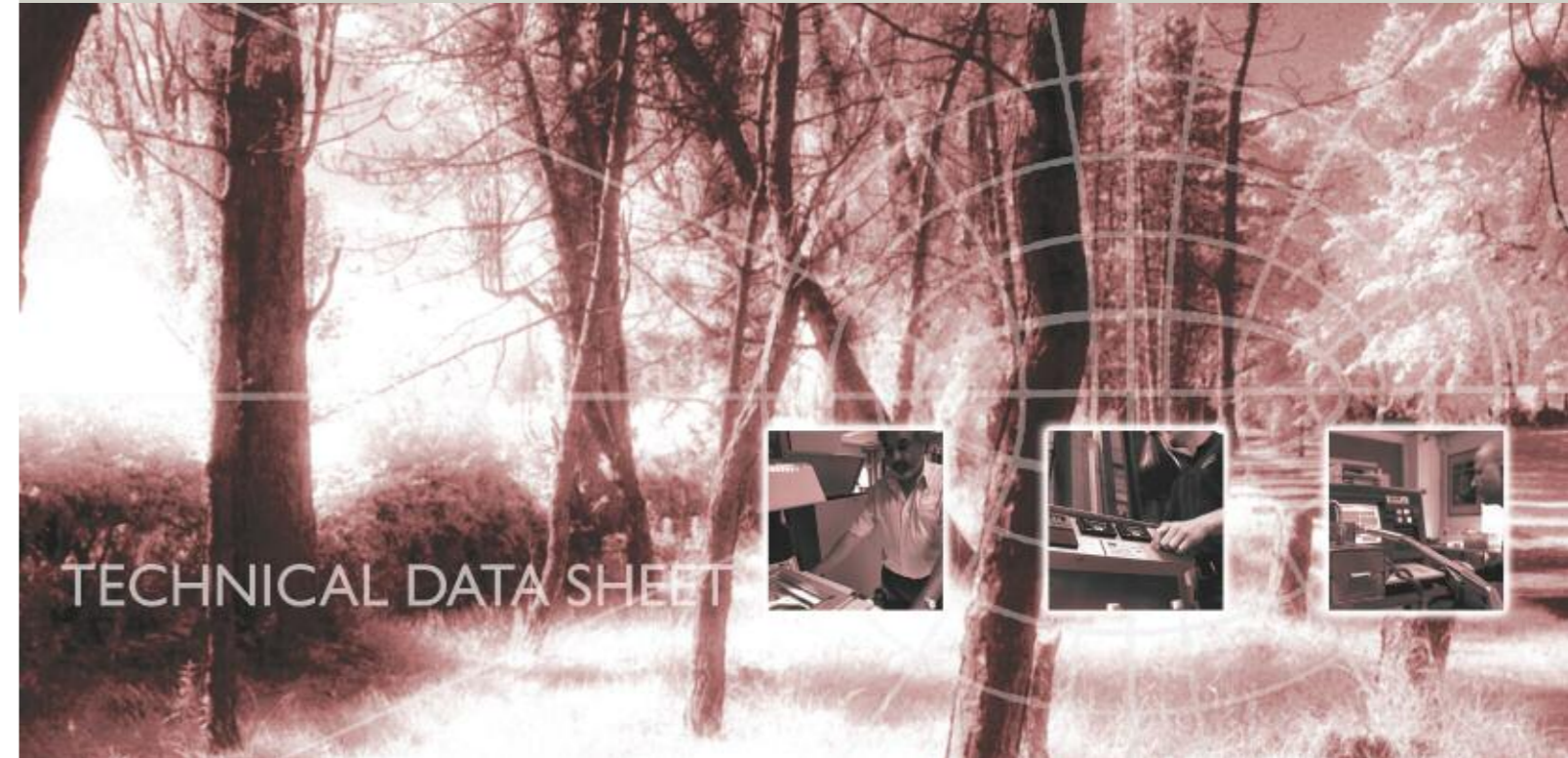


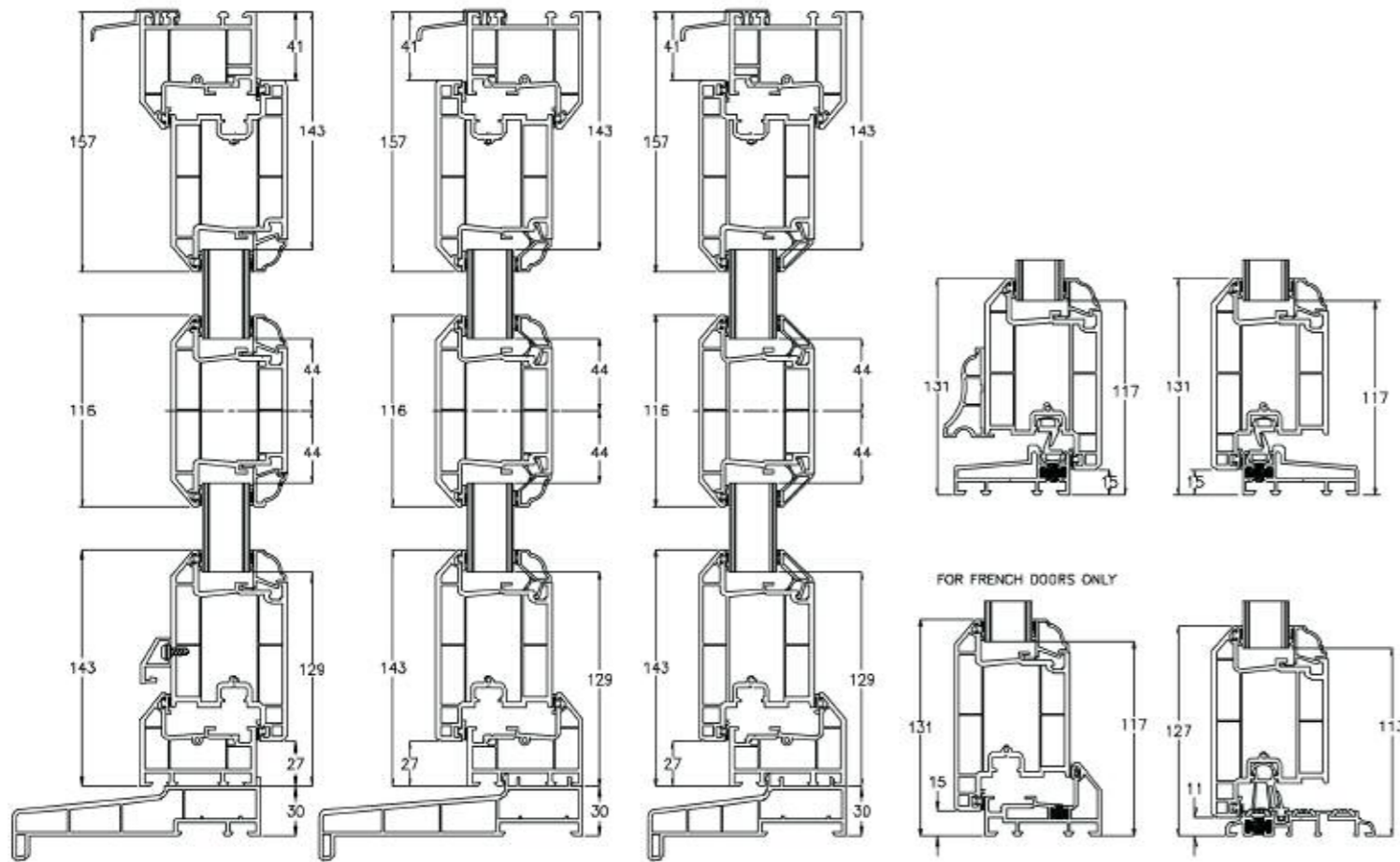
ECLIPSE Technical data sheet No 6 – RESIDENTIAL DOORS



Windows • Doors • Conservatories

ECLIPSE

Typical cross section



Residential door style limitations.

All dimensions are shown in mm				
Minimum Width	800	800	800	800
Minimum Height	1900	1900	2300	2300
Maximum Width	1150	1150	1150	1150
Maximum Height	2200	2200	2600	2600

All dimensions are shown in mm			
Minimum Width	1200	1200	1200
Minimum Height	1900	1900	2300
Maximum Width	2200	2200	2000
Maximum Height	2200	2200	2600

All dimensions are shown in mm. All styles shown are as viewed from the OUTSIDE. The hinged side of the leaf is designated by the point of contract between the outerframe component and the pinnacle of the triangle depicting the leaf.

Key Features List

- 70mm frame depth ensuring aesthetically pleasing installations
- Inward or outward opening
- Fully sculptured product design for traditional slim sightlines
- 5 internal chambers for additional strength and thermal properties
- Internal Beading
- Single Leg or Shuffle Bead options
- Dedicated PVCu screw ports for secure fixing of hardware
- Designed to accept the latest hardware innovations
- Products enable compliance with latest Building Regulations
- 24mm and 28mm sealed unit or thermally insulated panel depths
- Low threshold options, 15mm for wheelchair access product (compliant with Part M), 30mm and 50mm
- Unique coupling nut system enables products to be fixed to each other quickly and securely
- Products tested to meet or exceed the weather performance requirements of PAS023
- Products tested to meet or exceed the latest security standards, PAS024

Manufacture

Each door set is designed to fit a specific aperture and is individually fabricated in accordance with the survey instructions and within pre-specified size parameters. Fabricated frames are fusion welded to ensure a strong weather resistant joint. Transoms and mullions are either welded or mechanically joined. Excess weld sprue can be mechanically or manually removed to leave a neat corner finish. Precise fixing of hardware is consistently achieved by the use of precision made jigs. Metal reinforcement is used in accordance with the detailed fabrication manual supplied by WHS Halo.

Applications

The Eclipse esthétique Residential Door range is designed specifically for the UK and Irish climates and includes a wide range of glazing options, including pre-formed thermally insulated door panels that reflect both traditional and modern designs. These can be combined in an extensive series of configurations, with or without sidelights and are suitable for low or medium rise buildings. Their slim sightlines, 70mm frame depth and low maintenance requirements make them ideally suited for private or public

sector housing, new build and refurbishment projects.

Operation

Eclipse esthétique Residential Doors are available with either a 'Lever/Lever' or 'Lever/Pad' handle and lock configuration. Lever/Lever handle sets allow access from inside and outside of the building at the operation of a lever handle, whilst the Lever/Pad option prevents access from outside. To activate the superior weather performance for either type of handle set, the handle must be raised. The door is then locked by a key or a thumb turn cylinder.

Security

Residential Doors must be locked with a key or thumb turn cylinder to fully activate the security features of the lock. Locks feature hooks, dead bolt(s) and a latch at the top, bottom and centre of the locking stile. The keeps and strikers that the hooks, dead bolt(s) and latch are secured into are specific to Eclipse esthétique profiles. To protect the hinge side of the door, security hinge bolts are available.

Hardware Options

Handles are available in a wide choice of finishes.

- 2 types of door hinge are available;
- 'pencil' or 'flag' type. The flag hinge offers a greater degree of adjustment to the installer.
- Fire escape/Quick release hardware can also be provided.



Profile Finishes

Eclipse esthétique Residential Door products are available in the following finishes:

- White
- Rosewood
- Light Oak
- Rosewood on the outside, White on the inside
- Light Oak on the outside, White on the inside

For complimentary white infill panels and finishing trims the recommended colour references are RAL 9010 OR NCS 0502-414R.

Cleaning and Maintenance

PVCu is not affected by airborne pollution, salt, ozone or acid rain. In order to maintain the superior appearance of Eclipse esthétique products, frames should be wiped down with a mild liquid detergent as required. Proprietary brands of glass cleaners may also be used. The use of abrasive cleaning agents is not recommended as it may result in damage to the surface finish of the PVCu and/or the glass.

On an annual basis lubricate all pivot points sparingly with light machine oil.

