

ECLIPSE Technical data sheet No 7– FRENCH DOORS



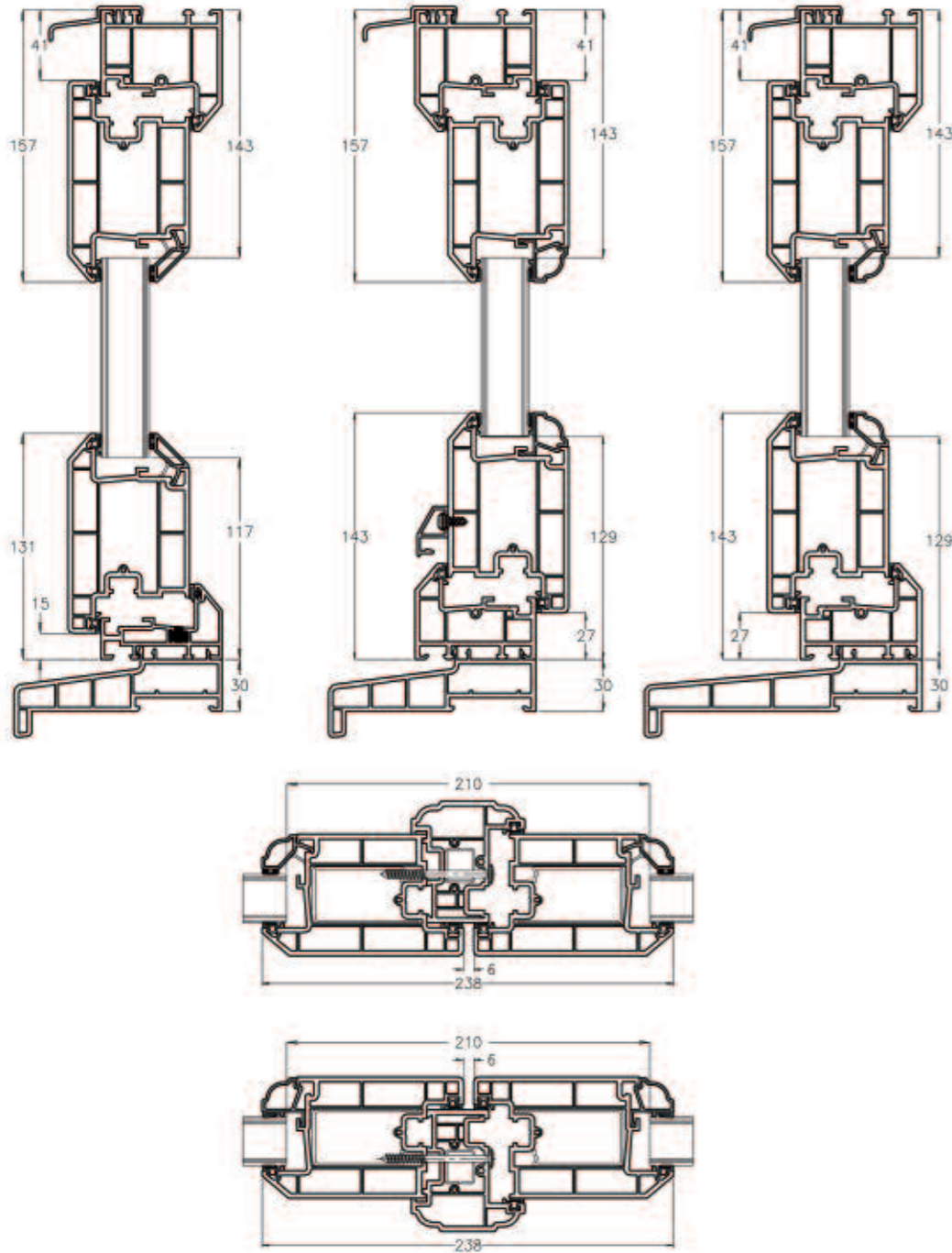
Windows • Doors • Conservatories

ECLIPSE

This Technical Data Sheet has been prepared by WHS Halo, a division of Bowater Building Products, with reasonable care for general guidance purposes only. Reliance on the information contained in this document shall be the entire responsibility of the person/persons so relying and in no event shall Bowater Building Products be liable for any direct loss or damage attributable to reliance on this Technical Data Sheet. Under no circumstances shall Bowater Building Products be liable for any indirect or consequential loss or damage including, but not limited to, loss of profit and loss of contracts.

As part of our policy of continuous improvement we reserve the right to alter specifications without prior notice

Typical cross section



All dimensions are shown in mm							
Minimum Width	1200	1200	1200	1200	2000	2000	2000
Minimum Height	1900	1900	2200	2200	1900	1900	1900
Maximum Width	2000	2000	2000	2000	3000	3000	3000
Maximum Height	2200	2200	2600	2600	2200	2200	2200

All dimensions are shown in mm. All styles shown are as viewed from the OUTSIDE. The hinged side of the leaf is designated by the point of contract between the outerframe component and the pinnacle of the triangle depicting the leaf.

Key Features List

- 70mm frame depth ensuring aesthetically pleasing installations
- Inward or outward opening
- Chamfered sash and outerframe design for slim sightlines
- Sculptured mullion/overlap with purpose designed end caps
- Internal Beading
- Chamfered or sculptured bead designs
- Single Leg or Shuffle Bead options
- Dedicated PVCu screw ports for secure fixing of hardware
- Designed to accept the latest hardware innovations
- Products enable compliance with latest Building Regulations
- 24mm and 28mm sealed unit or thermally insulated panel depths
- Low threshold options, 30mm and 50mm
- Unique coupling nut system enables products to be fixed to each other quickly and securely

Manufacture

Each door set is designed to fit a specific aperture and is individually fabricated in accordance with the survey instructions and within pre-specified size parameters. Fabricated frames are fusion welded to ensure a strong weather resistant joint. Transoms and mullions are either welded or mechanically joined. Excess weld sprue can be mechanically or manually removed to leave a neat corner finish. Precise fixing of hardware is consistently achieved by the use of precision made jigs. Metal reinforcement is used in accordance with the detailed fabrication manual supplied by WHS Halo.

Applications

The Eclipse French Door range is designed specifically for the UK and Irish climates and compliments the other products within the range. Fashionable in traditional homes for many years, they have recently seen an increase in popularity in modern homes, where they offer the opportunity to provide a wider opening when both leafs are fully opened. Designed to include a wide range of glazing options, these can be combined, with or without sidelights, in an extensive series of configurations. They are suitable for use in low or medium rise buildings. Their slim sightlines, 70mm frame depth and low maintenance requirements make

them ideally suited for private or public sector housing, new build and refurbishment projects.

Operation

Eclipse French Door Doors are available with a 'Lever/Lever' handle configuration on both the slave and master door leafs. Lever/Lever handle sets enable access to be gained from inside and outside with the operation of a lever handle. The slave door is secured into position by raising the lever handle; the master door is then closed to it, the handle raised to activate the superior weather performance. The doorset is then locked by use of a key or a thumb turn cylinder.

It is possible to fit Eclipse French Doors with only one handle Lever/Lever handle set on the master leaf, with the slave leaf being activated by finger bolts.

Security

French Doors must be locked with a key or thumb turn cylinder to fully activate the security features of the lock. Locks feature hooks, dead bolt(s) and a latch at the top, bottom and centre of the locking stile. The keeps and strikers that the hooks, dead bolt(s) and latch are secured into are specific to Eclipse profiles.

To protect the hinge side of the door, security hinge bolts are available.

Hardware Options

Handles are available in a wide choice of finishes.

2 types of door hinge are available; 'pencil' or 'flag' type. The flag hinge offers a greater degree of adjustment to the installer.

Profile finishes

Eclipse French Door products are available in the following finishes:

- White
- Rosewood
- Light Oak
- Rosewood on the outside, White on the inside
- Light Oak on the outside, White on the inside

For complimentary white infill panels and finishing trims the recommended colour references are RAL 9010 OR NCS 0502-414R.

Cleaning and Maintenance

PVCu is not affected by airborne pollution, salt, ozone or acid rain. In order to maintain the superior appearance of Eclipse products, frames should be wiped down with a mild liquid detergent as required. Proprietary brands of glass cleaners may also be used. The use of abrasive cleaning agents is not recommended as it may result in damage to the surface finish of the PVCu and/or the glass.

On an annual basis lubricate all pivot points sparingly with light machine oil.

